

# TFSR 200 Black

Article Number: 1334

Variant : 230V 1~ 50Hz



## Description

- Swing-out
- Speed-controllable
- Easy to install
- Reliable

The TFSR range consists of roof fans with a circular base plate and are fitted with a single-inlet centrifug fan with backward-curved blades and external rotor motors. The motors can be tilted outwards to facilitate inspection and service. They have integral on/off switch and are supplied with 1 m cable for fast connection to the mains e.g. via the connection box on the roof curb TOB or TOS.

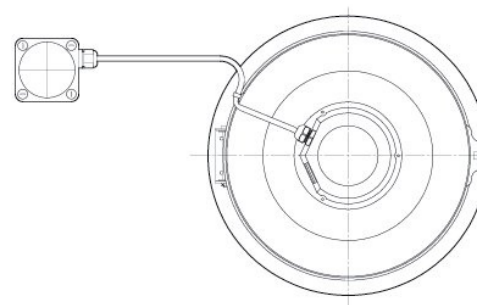
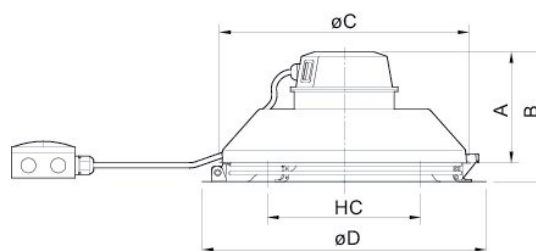
These fans are suitable for exhaust-air ventilation systems, e.g. single and multiple dwellings, offices and day nurseries. To protect the motors from overheating, all motors have an integral thermal contact with.

[Find more details in our online catalogue](#)

## Technical parameters

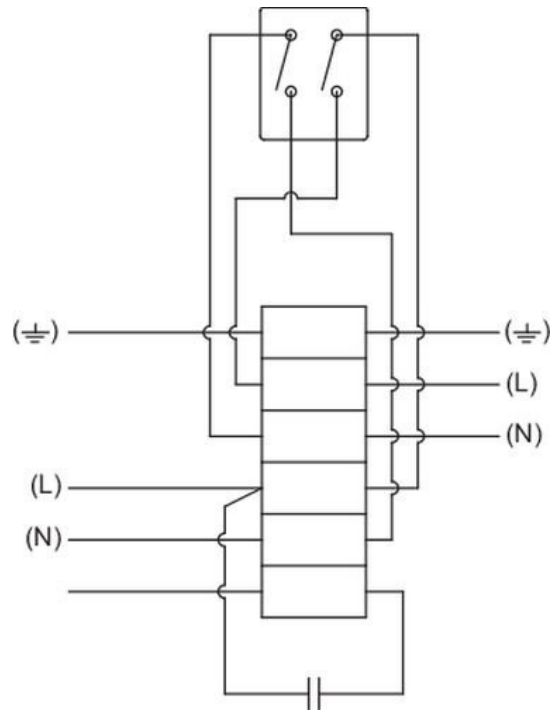
Normal data	
Voltage (nominal)	230 V
Frequency	50 Hz
Phase(s)	1~
Input power	108 W
Input current	0.466 A
Impeller speed	2,537 r.p.m.
Air flow	max 749 m <sup>3</sup> /h
Capacitance of capacitor	3 µF
Temperature of transported air	max 62 °C
Max temperature of transported air, when speed controlled	62 °C
Sound data	
Sound pressure level at 10m (free field)	40 dB(A)
Protection/Classification	
Enclosure class, motor	IP44
Insulation class	B
Data according to ErP	
Energy class, Basic unit	E
Energy class, Local demand	B
ErP ready	ErP 2016; ErP 2018
Dimensions and weights	
Weight	5.8 kg
Others	
Duct connection type	Circular
Color name, casing	Black
Motor type	AC

## Dimension

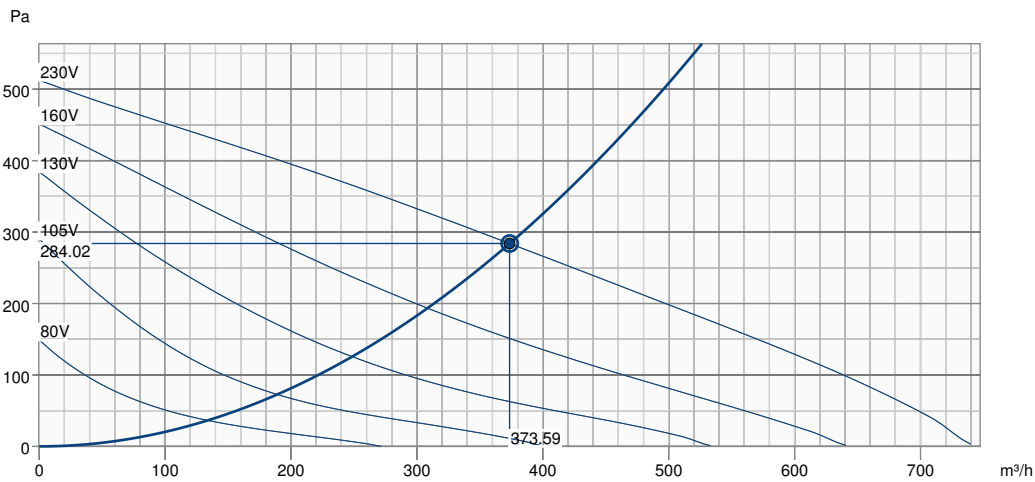


TFSR	A	B	øC	øD	HC
200	123	160	364	439	250

## Wiring



## Performance curve



### Hydraulic data

Required air flow	374 m³/h
Required static pressure	284 Pa
Working air flow	374 m³/h
Working static pressure	284 Pa
Air density	1.204 kg/m³
Power	105.5 W
Fan control - RPM	2556 rpm
Current	0.46 A
SFP	1.017 kW/m³/s
Control voltage	230.0 V
Supply voltage	230 V

Sound power level		63	125	250	500	1k	2k	4k	8k	Total
Inlet	dB(A)	49	63	64	64	66	63	56	46	71
Outlet	dB(A)	32	53	56	61	67	67	61	49	71

## Accessories

RE 1,5 Speed control (5000)	REE 1 Speed control (5314)
REPT 6 Digital regulator (5698)	RETP 6 Temp/Pressure regulator (32293)
REU 1.5 Speed control (5004)	CO2RT-R-D Transmitter (6993)
DTV500A (96807)	MicroREX D21 Plus Time Switch (17822)
Presence detector/IR24-P (6995)	RT 0-30 Room Thermostat (5151)
Safety switch 2-pole grey (210679)	T 120 Timer (5165)
LDC 200-300 Silencer (53369)	LDC 200-600 Silencer (5194)
LDC 200-900 Silencer (5195)	RSK-200 Back draft damper (5602)
TOB 200-315 Roof curb Black (134461)	TOS 200-315 Roof curb Black (134464)

## Documents

Fans\_Operating and Maintenance\_instr\_202341\_CE\_multilingual.pdf  
TFSR MOUNTING INSTRUCTION\_205504\_A001.PDF  
Certificate S-mark TFSK\_R 1309486\_EN.pdf